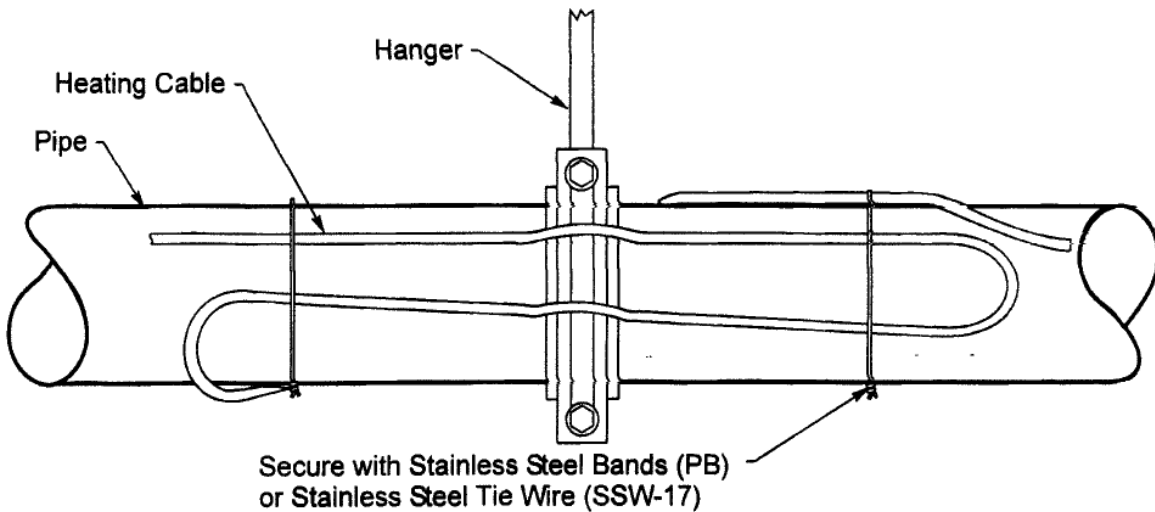
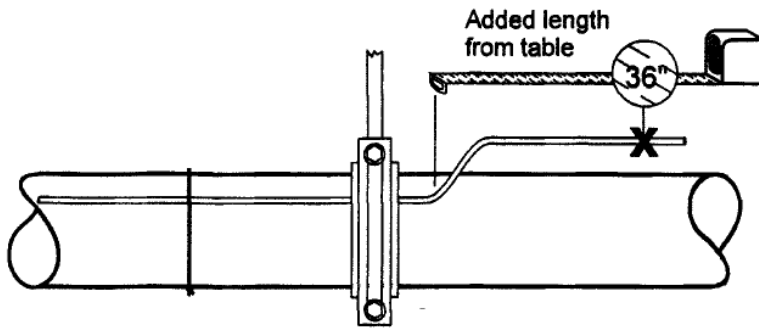


# ARCTIC TRACE®



**GENERAL:**

Extra cable is added at supports to compensate for greater heat loss. The amount of cable applied is equal to the support length plus the value shown in the table

**Cable Adders for Supports**

Pipe Size	1/2"	3/4"	1"	1 1/2"	2"	3"	4"	5"	6"	8"	10"	12"	14"	16"	18"	20"	24"
Adder	1'	1'	1'	1.5'	1.5'	2'	2'	2'	3'	3'	3'	3'	3'	3'	4'	4'	4'

**NOTE:**

When multiple traces are used, distribute the adder length equally between the traces. On pipes larger than 6", supports have less impact on losses and often are negligible. However, on critical applications they may need to be considered. Consult factory.

SUPPORT ADDERS (HANGER TYPE)		
INSTALLATION DETAIL		
DRAWING:	SH.	REV.
	1	0

**du Alaska Incorporated**  
 6706 Greenwood Street Anchorage Alaska 99518  
 Phone (907)-522-3004 Fax (907)349-1023