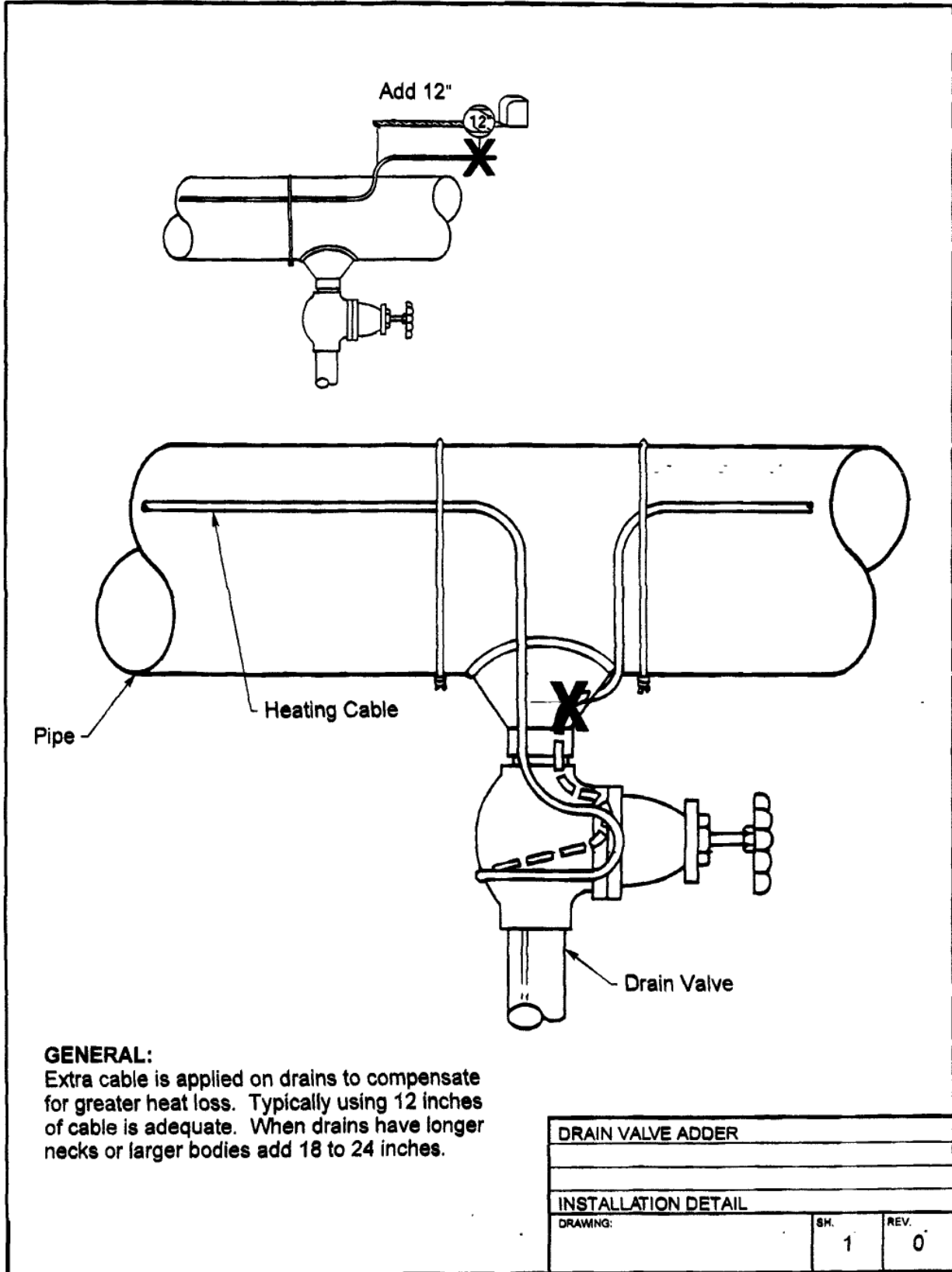


ARCTIC TRACE®



GENERAL:
 Extra cable is applied on drains to compensate for greater heat loss. Typically using 12 inches of cable is adequate. When drains have longer necks or larger bodies add 18 to 24 inches.

DRAIN VALVE ADDER		
INSTALLATION DETAIL		
DRAWING:	SH.	REV.
	1	0

du Alaska Incorporated
 6706 Greenwood Street Anchorage Alaska 99518
 Phone (907)-522-3004 Fax (907)349-1023