

# ***ARCTIC TRACE***®

## ***Installation Information***

### **CKS12 Roof De-Icing Cable Clips and Spacers Kit**

**Type TL and E Series Heating Cable Accessories**

#### **KIT CONTAINS**

**19 EACH ROOF CABLE CLIPS**

**16 EACH ROOF CABLE SPACERS**



## ATTACHING THE CABLE

### ⚠ WARNING

Improper handling can damage the cable and may result in ice dam formation or injury or death from electric shock or fire.

This section describes how to use the clips and cable spacers to attach the cable to each area of your roof and route it through the gutters and downspouts. Use only the clips and spacers provided to attach the cable. Do not attempt to staple or nail the cable or attach the cable with materials such as glue, caulk or adhesive.

While the cable is being laid-out on the roof, loose attachment of the clips and spacers is recommended in case adjustments must be made.

**Uncoiling the cable.** To attach the cable properly, it must lie flat on the roof. To do this, uncoil the cable so it is not twisted or tangled. If not properly uncoiled, the cable may be hard to clip to your roof.

**Attaching the cable at the starting point.** Near the outlet, first, attach the cable to the edge of the roof near the outlet using the clips as shown in Figure 10 or 11. Do not plug in the cable at this time.

Then, route your cable as planned on your roof or in your gutter and downspouts. Details on clip and spacer attachment are provided in the following sections.

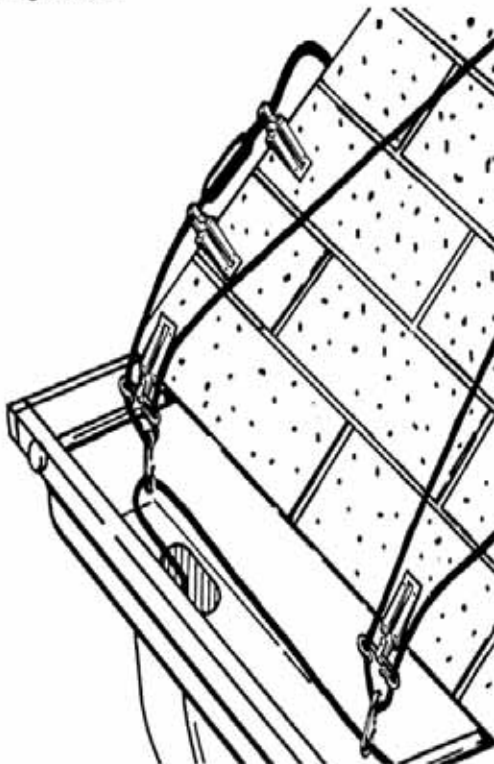


Figure 10. Starting point near roof edge

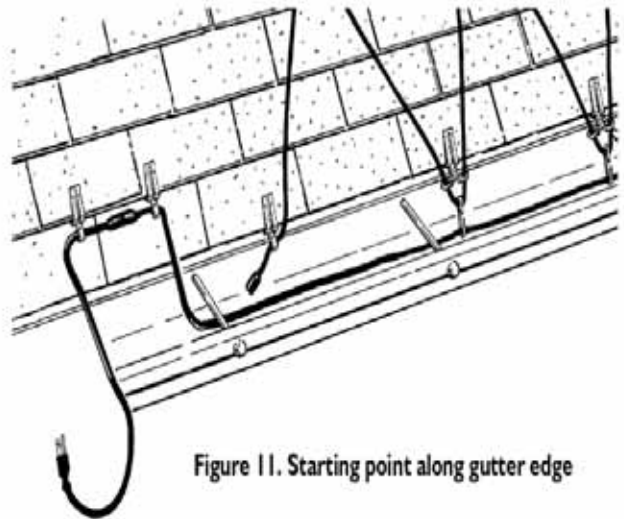


Figure 11. Starting point along gutter edge

**Attaching the cable to your roof with clips and cable spacers.** This section describes how to attach the cable to the roof using the clips and spacers.

#### • At tops of triangles along edge of roof

Taking care not to tear the shingle tab, lift it gently and evenly using a putty knife. Lift the shingle just enough to insert clip.

Press shingle back down firmly. Note: Shingles will reseal in hot weather.

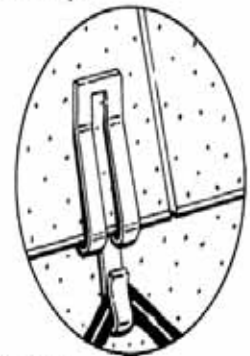


Figure 12. Attaching clips to shingles at top of triangles

#### • At bottoms of triangles along edge of roof

Form a "drip loop" over roof edge to direct melt water into the gutter or to the ground. There should be a minimum of 2 inches between the bottom of the drip loop and the bottom of the gutter.

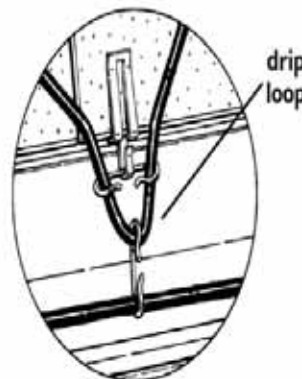


Figure 13. Attaching clips to shingles at edge of roof with gutters

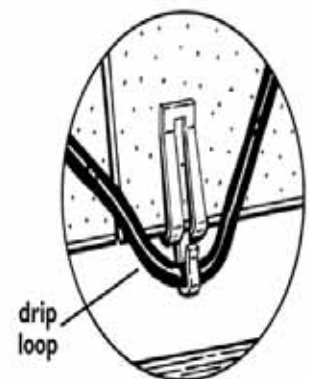


Figure 14. Attaching clips to shingles at edge of roof without gutters

- **Along the rise of large triangles**

For triangles that are larger than 3 feet in height, also attach clips every 3 feet up the height of the roof.

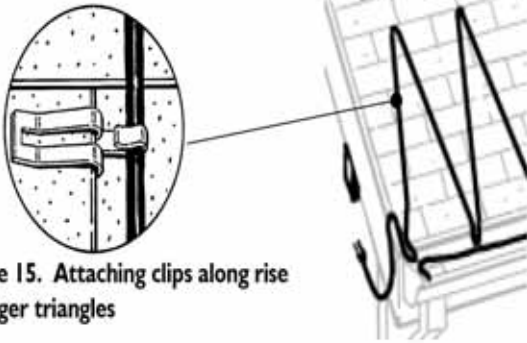


Figure 15. Attaching clips along rise of larger triangles

- **Around dormers**

Figure 16 shows how to use a clip to attach the cable when the cable is running vertically around a dormer. Lift the side edge of the shingle gently to insert clip sideways.

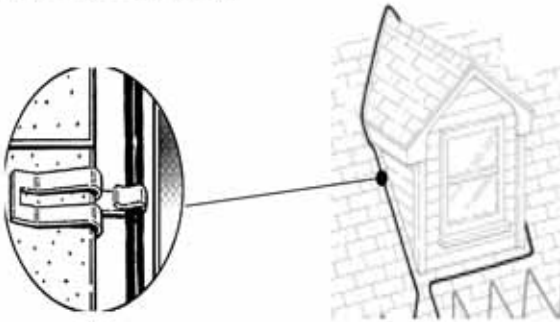


Figure 16. Attaching clips around dormers

- **Near skylights**

Triangles of cable are attached near skylights the same way as shown in Figures 12, 13 and 14. If the skylight is high up the roof (making the triangles larger than 3 feet in height), clips must also be attached every 3 feet up the height of the roof, as shown in Figure 15.

- **Up and down valleys**

Figure 17 shows how to use a clip to attach the cable up and down the valley. Lift the side edge of the shingle gently to insert clip sideways.

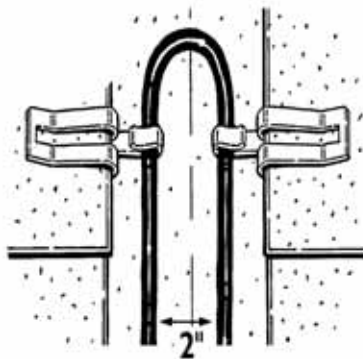


Figure 17. Attaching clips in valleys

**Routing the cable along the gutter using cable spacers.** This section describes how to route the cable along the gutter using spacers.

- While the cable is being laid in the gutter, the spacers can be tightened with fingers or pliers. If you use pliers, squeeze gently and use care to avoid pinching, crimping, cutting into or otherwise damaging the cable (see Figure 18). Do not use a hammer to tighten the clips and spacers.

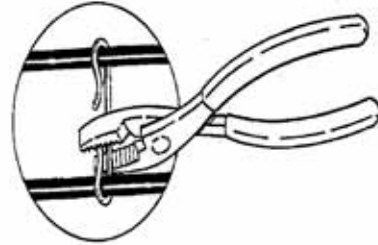


Figure 18. Squeezing spacers with pliers

- Route the cable in the gutter along a treated area of roofline. Using a spacer, fasten the gutter cable to the bottom of each drip loop you have formed. See Figure 19. Keep the cable in the gutter tight and off the bottom of the gutter to prevent heat loss.

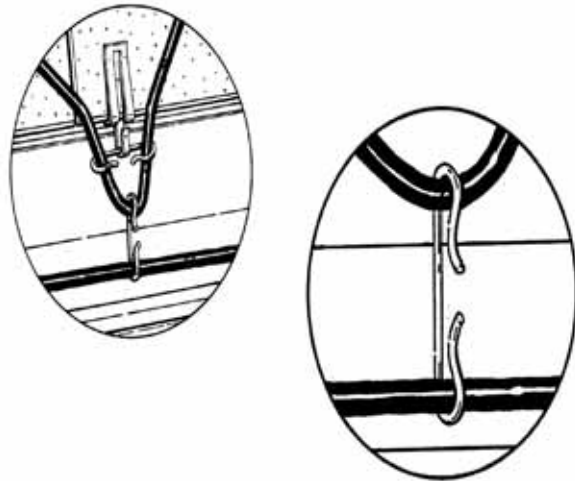


Figure 19. Attaching clips in gutters

## One Year Limited Warranty

du Alaska hereby warrants to the original purchasing consumer that its Arctic Trace heating cable is free from defects in material and workmanship for a period of one (1) year from the date of original installation. du Alaska's obligation under the terms of this limited warranty shall be limited to repairing or replacing, at du Alaska's option, free of charge, F.O.B. from its factory, any part or parts of the Arctic Trace heating cable which in its sole judgment is found to be defective; and providing further that the claim be made within one (1) year from the date of original installation and said part or parts be returned as directed by du Alaska at the time the claim is made.

All information concerning the product supplied by du Alaska is furnished upon the express condition that the customer shall make its own assessment to determine the product's suitability for a particular purpose.

**WARRANTY EXCLUSIONS.** *Except as expressly stated herein and to the fullest extent permitted by law, we shall not be liable for direct, indirect, incidental, consequential or other types of damages arising out of resulting from the purchase or use of the product. This Limited Warranty is in lieu of all other warranties, express or implied, specifically including, but not limited to, implied warranties of merchantability or fitness for a particular purpose.* The remedies under this warranty are only as set forth herein (except as to the extent they are required by any applicable laws) and du Alaska neither assumes nor authorizes anyone to assume for it any other obligations. Some states do not allow the exclusion or limitations of incidental or consequential damages, so the foregoing limitations or exclusions may not apply to you. In such states, liability shall be limited to the extent allowed by state law. We do not warrant this product against normal wear and tear, unauthorized modifications or alterations, improper use, improper maintenance, accident, misuse, negligence, theft, loss or damage from outside causes.

**du Alaska Incorporated**  
6706 Greenwood Street  
Anchorage, Alaska 99518

Phone: (907) 522-3004

Fax: (907) 349-1023

E-mail: [dualaska@alaska.net](mailto:dualaska@alaska.net)

[www.arctictrace.com](http://www.arctictrace.com)